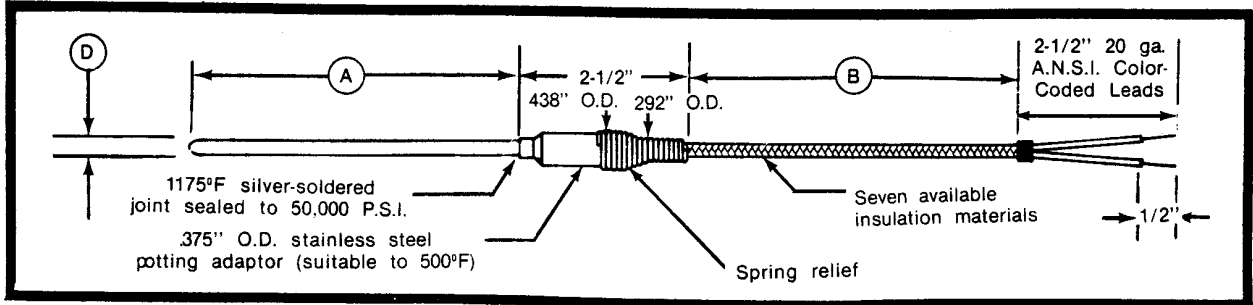


# Mineral Insulated Thermocouples Series T2 Heavy Duty Stainless Steel Transition Assembly 3/8" O.D.

- 300 series stainless transition resists environmental corrosion.
- Intrinsicly-sealed to sheath and rated to 50,000 P.S.I.
- Hermetically-sealed stainless steel spring relief.
- Available in .062" to .312" diameter.
- Externally mounted strain relief for maximum lead support.



1	2	3	4	5	6	7	8	9	10	11
	T2									

- HT Prefix<sup>3</sup>
- Style No.
- Junction Type
  - Grounded Flat
  - Grounded
  - Ungrounded Flat
  - Ungrounded
  - Exposed
  - NG = Reduced tip, grounded (Specify O.D. x length)
  - NU = Reduced tip, ungrounded (Specify O.D. x length)
- Sheath Diameter (D Dimension)
  - Available in .062" to .312"
- Sheath Material<sup>1</sup>
  - 304 s/s
  - 316 s/s
  - 310 s/s
  - Inconel 600
  - (Specify other materials)
- Sheath Length (A Dimension)
  - Specify in inches.
- Calibration
  - J, K, T, E or N<sup>2</sup>
  - Specify calibration symbol twice for dual assemblies and P after calibration symbol for special (premium) limits of error.
- Insulation Material<sup>1</sup>
  - MgO or Al<sub>2</sub>O<sub>3</sub>
- Lead Length (B Dimension)
  - Specify in inches.
- Lead Insulation<sup>1</sup>
  - Nylon
  - Kapton
  - TFE teflon
  - FEP teflon
  - FiberGlass
  - High Temperature FiberGlass
  - PVC
- Options
  - See section ASC for options.

<sup>1</sup>See section AD for specifications and application data.  
<sup>2</sup>Nisil/Nicrosil.  
<sup>3</sup>A high-temperature potting material suitable to 500°F. Specify HT prefix  
<sup>4</sup>Type T rated to 700°F.