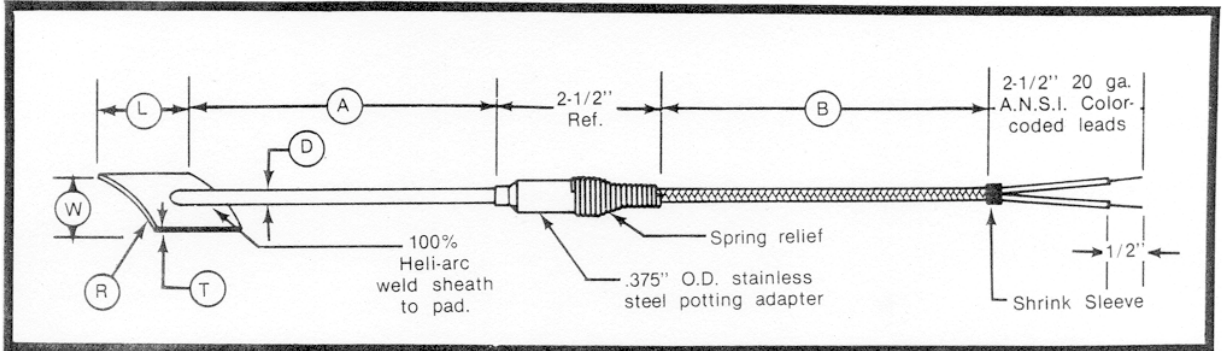


Mineral Insulated Thermocouples

Series T10

Mini-Tube Skin Assembly

- Designed to offer direct contact to tube surface.
- Available in .125" to .500" diameter.



	1	2	3	4			5	6	7	8	9	10	11
	T10			D	E	R							
1. Style No.													
2. Junction Type													
Grounded													
Ungrounded													
3. Sheath Diameter (D Dimension)													
Available in .125" to .500" diameter.													
4. WELD Pad Size Dimensions													
L = Pad Length													
W = Pad Width													
T = Pad Thickness													
R = Pad Radius													
5. Sheath and Weld Pad Material ¹													
304 s/s													
316 s/s													
310 s/s													
Inconel 600													
(Specify other materials)													
6. Sheath Length (A Dimension)													
Specify in inches.													
7. Calibration ¹													
J, K, I, E, or N ²													
8. Sheath Insulation ¹													
MgO or Al ₂ O ₃													
9. Lead Length (B Dimension)													
Specify in inches.													
10. Lead Insulation ¹													
Fiberglass													
High Temperature Fiberglass.													
PVC													
Nylon													
Kapton													
TFE teflon													
FEP teflon													
(Specify ss after insulation symbol for stainless steel overbraid)													
11. Cold End Termination													
1/2" stripped leads, standard. See section ASC for options.													

¹See section AD for specifications and application data.

²Nisil/Nicrosil.

³Type T rated to 700°F.